

# MTW - TREKKING POWER HT (MULTITRACTION WHEELCHAIR)

Public price starting from € 5850,00

**ENTER A NEW MOBILITY**

M.D.R.: **2544586**

Basic UDI-DI: **805378246MTWTRP13785**

Order  Dealer   
Quote  Date

Dealer's stamp



## MODEL FEATURES

- High Torque 110 Nm
- Triride Software
- Programable and customizable electronics
- Traction selector: Front(I), Rear (II), Integral 3x3(III)with power split
- Rear LED light with stop function flashing when braking
- Weight from 10.6 Kg
- Anti-tip arm
- Wheel diameter and tyre of your choice
- Range: up to 50 km
- Maximum power 1000W
- Battery Lithium-ion 36V or 48V
- Dismountable Kit

Kit with self-supporting frame, structurally independent from the wheelchair frame. Combined with Triride motors, it allows you to have a high-performance three-wheel electric vehicle. Drive Units also individually selectable front only, rear only or all three at the same time with a power splitter between front and rear. The Trekking Power kit attaches and removes in a few seconds, returning the wheelchair to its original state without any structural changes.

### MTW Frame (fill in the dedicated/attached form)

Name and Surname:

Age:

E-mail:

Weight:

Pathology:

Tel.:

## TREKKING POWER CONFIGURATION

Triride to match\* S/N BS-C-079 Display for control unit configuration optional   
 customization: \_\_\_\_\_(21 character)

\*free connection with your Triride including switch for traction selection (I, II, III)

### Double battery with double Control Unit \*

36V - 504 W/h - Battery Range 25 Km default   
 Maximun Power 600W

36V - 720 W/h \*\* Battery Range35 Km € 500,00   
 Maximun Power 630W

36V - 1008 W/h \*\* Battery Range 50 Km € 650,00   
 Maximun Power 750W

48V - 1008 W/h \*\* Battery Range 50Km € 1.050,00   
 Maximun Power 1000W

\* The positioning of the batteries is determined by the wheelchair model

\*\* Verify compatibility with the wheelchair

### Complete Wheels\*\*\*

		With pushrim <input type="checkbox"/>	€180,00			Without pushrim <input type="checkbox"/>	optional
Wheel 20" x 4	Road Fat	<input type="checkbox"/>	€ 98,00 <input type="checkbox"/>	Wheel 24" x 1,75	City	<input type="checkbox"/>	€ 0,00 <input type="checkbox"/>
Wheel 20" x 4	Cross Fat	<input type="checkbox"/>	€ 98,00 <input type="checkbox"/>	Wheel 24" x 1,75	Cross	<input type="checkbox"/>	€ 0,00 <input type="checkbox"/>
Wheel 20" x3	City	<input type="checkbox"/>	€ 68,00 <input type="checkbox"/>	Wheel 24 x 1,95	City	<input type="checkbox"/>	€ 84,00 <input type="checkbox"/>
Wheel 20" x 2,60	Cross	<input type="checkbox"/>	€ 0,00 <input type="checkbox"/>	Wheel 24 x 1,95	Cross	<input type="checkbox"/>	€ 84,00 <input type="checkbox"/>
Wheel 20" x 2,125	City	<input type="checkbox"/>	€ 0,00 <input type="checkbox"/>	Wheel 24" x 1	City	<input type="checkbox"/>	€ 0,00 <input type="checkbox"/>
				Ruota 24" x 2,1	City	<input type="checkbox"/>	€ 0,00 <input type="checkbox"/>

\*\*\*Depending on availability

## ACCESSORIES / OPTIONAL

Joystick complete with standard support	<input type="checkbox"/>	€ 225,00
Adjustable and swiveling joystick support	<input type="checkbox"/>	€ 125,00
Insertion position rings for double brakes	<input type="checkbox"/>	€ 24,00
Preparation for tow hook	<input type="checkbox"/>	€ 60,00

In addition to the standard configurations described, the device is designed to customize driving controls depending on the needs of the individual user. Please ask for quotation by contacting the company

**N.B.** For Particular adaptations, modifications or dedicated work on the wheelchair, a surcharge may be applied will be communicated in a quote ( after the compatibility is confirmed )

The Company reserves the exclusive right to bring changes, without notice, if it deems it useful for the improvement of the Product.

# MTW FRAME

(**MTW**= MULTITRACTION WHEELCHAIR)

Public price starting from € 3.200,00

**ENTER TO A NEW MOBILITY**

M.D.R.: **2544579**

UDI-DI di base: **805378246FRWHL1207F**

Order  Dealer

Quote  Date

Dealer's stamp



## FRAME FEATURES

- Frame in choice of aluminum/ergal or stainless steel
- Ultra-light, compact custom frame, same size as an "open frame" but with a quadrilateral structure for maximum stiffening
- Semi-integrated front attachments with no front bulk
- Designed for different wheel diameters (from 16 to 26)
- Variable backrest inclination
- Seat in double reinforced washable nylon
- Fabrics/nylon for backrest and seat in hypoallergenic and breathable material \*
- Kit can be dismantled for easy transport in the car
- Anti-tip wheel

*\* Postural cushions and backrests not supplied*

Note:

---

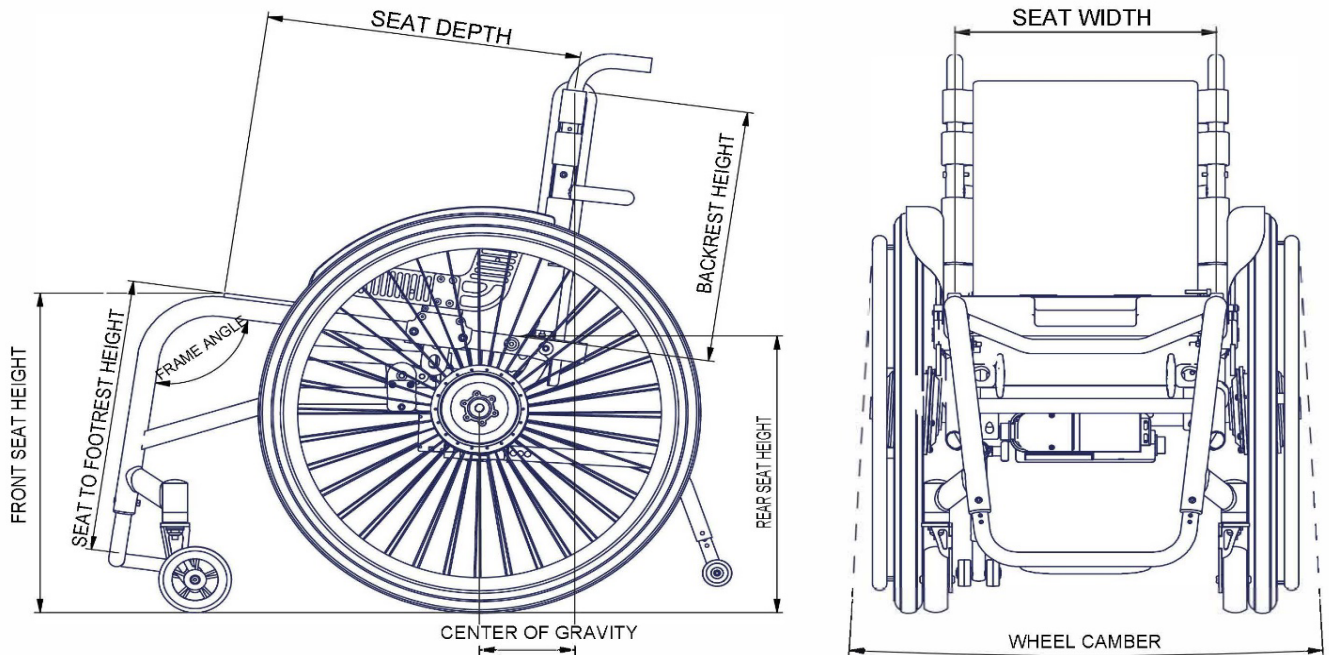


---



---

## FRAME CONFIGURATION



Seat width from 360 - 500	mm	<input type="text"/>
Seat depth from 350 - 500	mm	<input type="text"/>
Backrest height from 200 - 480	mm	<input type="text"/>
Seat to footrest height 350 - 540	mm	<input type="text"/>
Front seat height from ground	mm	<input type="text"/>
Rear seat height from ground	mm	<input type="text"/>
Center of Gravity COG ( adjustable)	mm	<input type="text"/>
Frame angle	degrees	<input type="text"/>
Wheel camber 0° - 3°	degrees	<input type="text"/>
Frame taper ( V-taper )	degrees	<input type="text"/>

Note:

---



---



---



---



---



---

Fill in the form with the required information, which is essential for the tailor-made realization of the motorized rear axle extension compatible with your wheelchair. For greater accuracy, the use of a gauge and a meter is recommended. For installation, the wheelchair should be sent to the Triride headquarters or an authorized center.

### BRAND AND MODEL OF YOUR WHEELCHAIR

Indicate the brand and model of the wheelchair in use on which the retraction axis will be mounted.

Brand

Model

NB - Attach photographs of the rear part inside the wheels and of the side part, with and without wheels, of the wheelchair.

Wheelchair seat width

### SHAPE AND DIAMETER OF THE HOOKING TUBES

Provide the diameter of the tubes indicated (Fig. 1 & 2). If the tubes are not round indicate the section and attach photos.

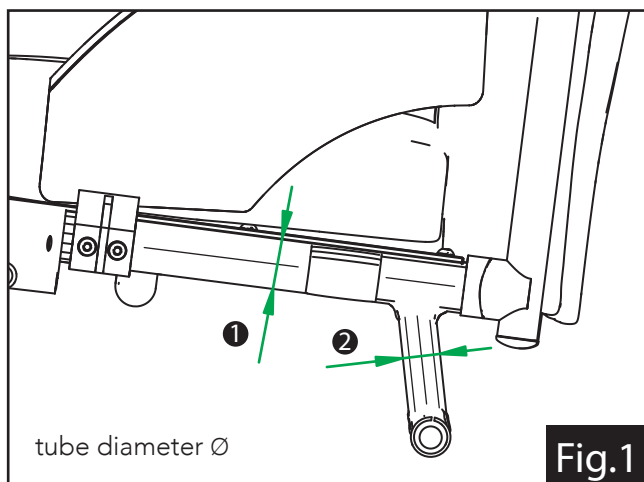
ROUND TUBE

NOT ROUND TUBE

Diameter or section tube ① (Fig.1)

Diameter or section vertical tube ② (Fig.1)

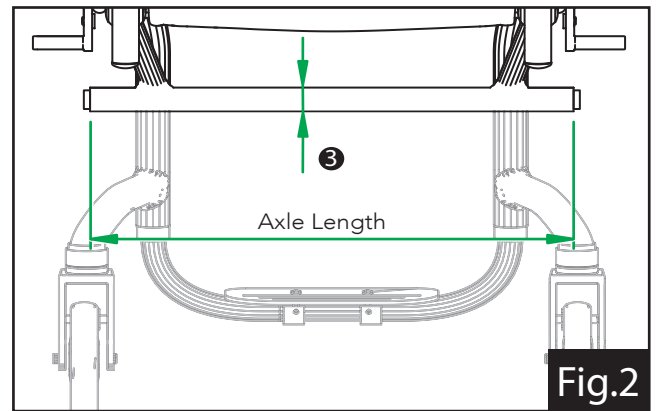
Diameter or section wheel axle ③ (Fig.2)



### WHEEL AXLE WIDTH WHEELCHAIR

Provide the measurement of the width of the axle of the wheels (Fig. 2).

Length axis



### WHEEL CAMBER FOR WHEELCHAIR

Indicate the original degree of camber of the wheelchair wheels in degrees (°) (Fig.3).

ANGLE CAMBER

### CAMBER ASSIGNMENT

Depending on the compatibility of the wheelchair, a camber between 0° and 3° will be applied (Fig.3).

Camber choice:

0°  (no increase in lateral bulk)

3°  If the wheelchair already has a 3° bell, the increase in overall dimensions is equal to 0 cm.

